

# KT-4 Wi-Fi Module Installation Guide

Building Technologies & Solutions  
www.kantech.com  
2024-03-19

A16381LJ08  
Rev A



A16381LJ08-A





# Contents

Safety instructions.....	5
Introduction.....	5
Box contents.....	5
Technical specifications.....	6
Installing the Wi-Fi module.....	6
Technical support.....	8
United States and Canada.....	8
Latin America and Caribbean.....	9
Europe, Middle East, and Africa.....	9
Asia Pacific.....	10
Compliance specifications.....	10
United States.....	10
Canada.....	11
European Union.....	11
Australia and New Zealand.....	11
End-User License Agreement.....	11
Copyright.....	11



# Safety instructions

► **Important:** Never install the equipment during a lightning storm.

This equipment, Wi-Fi module for the KT-4 four-door controller, shall be installed and used within an environment that provides the pollution degree max 2 and over voltages category II non-hazardous locations, indoor only. The equipment is fixed and permanently connected and is designed to be installed by Service Persons only;

Service person is defined as a person having the appropriate technical training and experience necessary to be aware of hazards to which that person may be exposed in performing a task and of measures to minimize the risks to that person or other persons. The equipment is installed in a metallic cabinet that meets the applicable requirements for a fire enclosure.

1. Avoid setting up the equipment near heaters, air conditioners, ventilators, and/or refrigerators; DO NOT select a place that exposes the equipment to direct sunlight, excessive heat, moisture, vapors, chemicals or dust.
2. If during the installation a knockout on the cabinet that is used to install the equipment is removed, it is the installer's responsibility to ensure that the same degree of protection for the cabinet is provided by the use of bushings, fittings, adequate sealant, etc.
3. The metallic cabinet must be secured to the building structure before operation. Use four (4) stainless steel tapping screws #8, 32 mm (1.25 in.) to mount the cabinet.
4. The ground connection must be as shown within the included diagram, or equivalent. The cabinet that is used to install the equipment must have an appropriate ground connection.
5. Internal wiring must be routed in a manner that prevents the following conditions:
  - Excessive strain on wire and on terminal connections
  - Loosening of terminal or connection
  - Damage of conductor insulation
  - Reducing the clearance between SELV (Safety Extra Low Voltage) circuits and NON-POWER Limited Circuits (Battery wires)
  - Route the battery wires away from the rest of the SELV circuit
6. It is the end-user and/or installer's responsibility to ensure that the disposal of the used batteries is made according to the waste recovery and recycling regulations applicable to the intended market.
7. There are no serviceable parts within the equipment. For any issues regarding the equipment please contact your installer.
8. Disconnect power before servicing.

## Introduction

The KT-4-MOD-WIFI is a Wi-Fi module supports the use of Wi-Fi 802.1a/b/g/n/ac and BT functionalities to the KT-4 four-door controller at communication speeds up to 866 Mbps. Use this document for instructions on installing the KT-4-MOD-WIFI module only. For more information on initial Wi-Fi configuration, refer to the *KT-4 Four-Door Controller Installation Guide*.

## Box contents

When you open the product box, check that it contains the following items:

- One KT-4-MOD-WIFI module
- One *KT-4 Wi-Fi Module Installation Guide*
- One M2.5 pan head machine screw

- One 2.5 GHz and 5 GHz dual band antenna
  - One Kantech screwdriver
  - One antenna mounting grommet
- ⓘ **Note:** Avoid metallic surfaces near the antenna location.

## Technical specifications

The following table lists the technical specifications of the KT-4-MOD-WIFI module.

**Table 1: Technical specifications**

Type	Description
Dimensions (H x W x D)	22 x 30 x 3.3 mm (0.87 x 1.18 x 0.12 in.)
Operating temperature	For UL listed installations: 0°C to 49°C (32°F to 120°F) indoor use only
Operating humidity	85% relative humidity non-condensing
Connector type	M.2 connector (2230 E-Key)
Data rate	Up to 866 Mbps
Encryption	WEP, TKIP, AES
Frequency	2.4 GHz to 2.95 GHz, 5.15 GHz to 5.835 GHz
Wireless specification	802.11 a/b/g/n/ac Wi-Fi, Bluetooth 5.1
Warranty	Limited lifetime

**Table 2: UL 294 performance levels**

Model	Destructive attack	Line security	Endurance	Standby power
KT-4-MOD-WIFI	Level I	Level I	Level IV	Level I

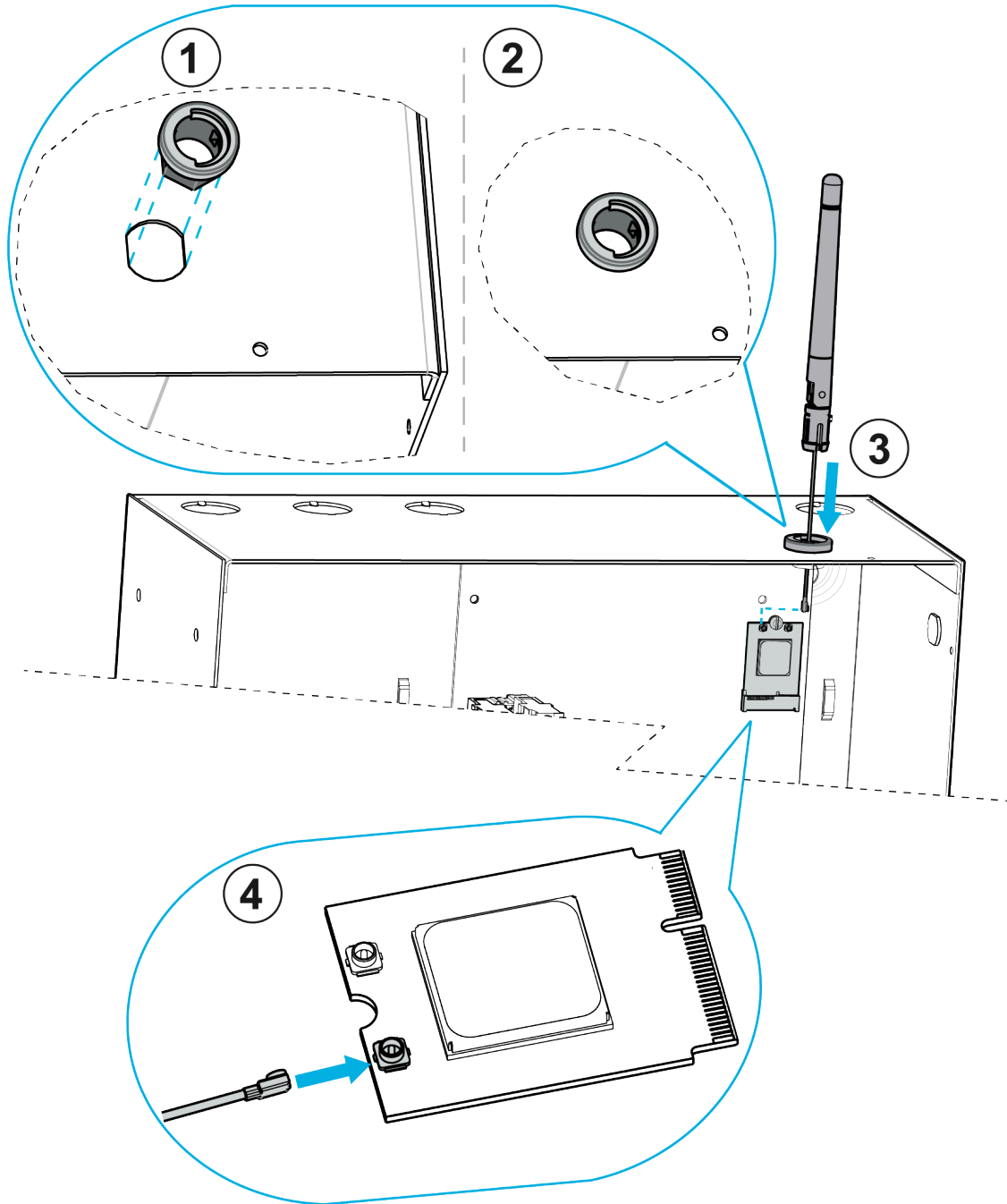
## Installing the Wi-Fi module

### About this task:

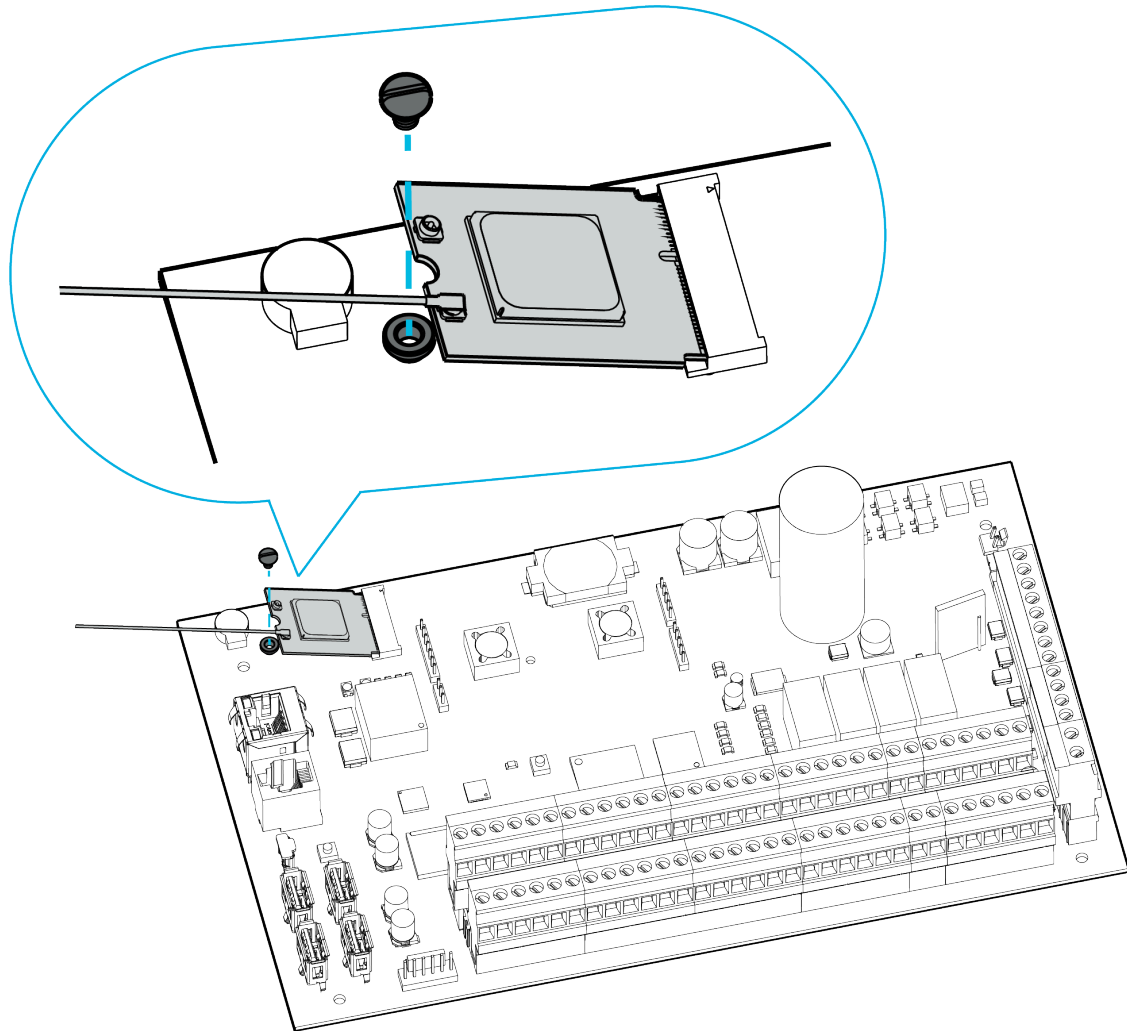
To install the KT-4-MOD-WIFI module onto the KT-4 controller, complete the following steps:

1. Remove the antenna double D knockout from the KT-4 controller cabinet, then in the empty hole, insert the antenna mounting grommet.
2. Reference [Figure 1](#) to ensure that the half-circle recess on the antenna mounting grommet is correctly oriented to the right.
3. Insert the antenna into the antenna mounting grommet.
4. Insert the U.FL antenna plug connector into the ANT0 U.FL receptacle on the left side of the Wi-Fi module.
5. As shown in [Figure 2](#), insert the Wi-Fi module into the M.2 connector and push the module flat onto the KT-4 controller cabinet.
6. Use the M2.5 pan head screw to secure the Wi-Fi module in place.

Figure 1: Installing the antenna mounting grommet and antenna



**Figure 2: Installing the Wi-Fi module**



## Technical support

See the following technical support contact details and opening hours in your region, or go to: [https://kantech.com/Support/Contact\\_Technical\\_Support\\_Advanced.aspx](https://kantech.com/Support/Contact_Technical_Support_Advanced.aspx).

### United States and Canada

**Table 3: United States and Canada telephone numbers**

Region	Call type	Business hours: 08:00 to 20:00 (EST)
United States and Canada	Toll free	+1 888 222 1560
United States and Canada	Toll free	+1 800 507 6268 option 4

## Latin America and Caribbean

For technical support, contact us at one of the following email addresses or use the phone number for your region.

- For access technical support, email [access-support@jci.com](mailto:access-support@jci.com).
- For video technical support, email [video-support@jci.com](mailto:video-support@jci.com).
- For technical training inquiries, email [latam.certificaciones@jci.com](mailto:latam.certificaciones@jci.com).

**Table 4: Latin America and Caribbean telephone numbers**

Region	Call type	Business hours: 08:00 to 20:00 (EST)
Latin America and Caribbean	Toll free	+1 800 507 6268
Latin America and Caribbean	Toll free	+1 800 392 2873
Argentina, Buenos Aires	Direct	+54 11 5199 3104
Brazil, Sao Paulo	Direct	+55 11 3181 7377
Chile, Santiago	Direct	+56 2 3210 9662
Colombia, Cali	Direct	+57 2 891 2476
Colombia, Medellin	Direct	+57 4 204 0519
Costa Rica, National VOIP	Direct	+506 4 000 1655
Dominican Republic, Santo Domingo	Direct	+1 829 235 3047
El Salvador, San Salvador	Direct	+503 2 136 8703
Guatemala, Guatemala City	Direct	+502 2 268 1206
Mexico, Mexico City	Direct	+52 55 8526 1801
Panama, Panama City	Direct	+507 836 6265
Peru, Lima	Direct	+51 1 642 9707
Venezuela, Caracas	Direct	+58 212 720 2340

## Europe, Middle East, and Africa

For technical support, contact us at one of the following email addresses or use the phone number for your region.

- For technical post-sales inquiries, email [video-support@jci.com](mailto:video-support@jci.com).
- For technical training inquiries, email [emea.training@jci.com](mailto:emea.training@jci.com).
- For all licensing inquiries, email [sp-licensing-support@jci.com](mailto:sp-licensing-support@jci.com).

**Table 5: Europe, Middle East, and Africa telephone numbers**

Region	Call type	Business hours: 08:00 to 18:00 (CET)
Europe, Middle East, and Africa	Toll free	+800 2255 8926
Europe, Middle East, and Africa	Direct	+31 475 352 722
Bahrain	Direct	(0)800 04127
Belgium	Direct	+0800 76 452
Denmark	Direct	+45 4494 9001
France	Direct	+0800 90 79 72
Germany	Direct	+0800 1806 757
Greece	Direct	00800 312 294 53
Ireland	Direct	+1800 94 3570

**Table 5: Europe, Middle East, and Africa telephone numbers**

Region	Call type	Business hours: 08:00 to 18:00 (CET)
Israel	Direct	+972 772 201 350
Italy	Direct	+39 0230 510 112
KSA	Direct	+96 6800 8500 509
Kuwait	Direct	(0)22062915
Lebanon	Direct	01 426 801, new dial tone and then dial 8552 3436 77
Nordic Countries	Direct	04494 9001
Oman	Direct	(00) 8007 4364
Qatar	Direct	(00) 800100841
Russia	Direct	81 0800 2052 1031
South Africa	Direct	+27 (0) 10 100 3292
Spain	Direct	+900 99 31 61
Turkey	Direct	+00800 3192 3007
United Arab Emirates	Direct	(0)800 0310 7123
United Kingdom	Direct	+44 330 777 1300

## Asia Pacific

For technical support, contact us at one of the following email addresses or use the phone number for your region.

- For video technical support, email [video-support@jci.com](mailto:video-support@jci.com).
- For technical training inquiries, email [apac.training@jci.com](mailto:apac.training@jci.com).
- For all licensing inquiries, email [sp-licensing-support@jci.com](mailto:sp-licensing-support@jci.com).

**Table 6: Asia Pacific telephone numbers**

Region	Call type	Business hours: 09:00 to 18:00 (CST China Standard Time) and 09:00 to 19:00 (IST India Standard Time)
Asia Pacific	Toll free	+ 800 2255 8926
Australia	Direct	+1 800 580 946
China	Direct	+86 21 6163 8644
India	Direct	+91 80 4199 0994
Oceania and New Zealand	Direct	+64 9942 4004

## Compliance specifications

### United States

This equipment has been tested and found to comply with the limits for a Class B digital device, pursuant to Part 15 of the FCC rules. These limits are designed to provide reasonable protection against harmful interference in a residential installation. This equipment generates, uses and can radiate radio frequency energy and, if not installed and used in accordance with the instructions, may cause harmful interference to radio communications. However, there is no guarantee that interference will not occur in a particular installation. If this equipment does cause harmful interference to radio or television reception, which can be determined by turning the equipment

off and on, the user is encouraged to try to correct the interference by one or more of the following measures:

- Reorient or relocate the receiving antenna.
- Increase the separation between the equipment and receiver.
- Connect the equipment into an outlet on a circuit different from that to which the receiver is connected.
- Consult the dealer or an experienced radio/TV technician for help.

The user is cautioned that changes and modifications made to the equipment without approval of the manufacturer could void the user's authority to operate this equipment.

## Canada

CAN ICES-3 (B)/NMB-3(B)

## European Union

CE Mark - This product complies with the requirements of the EMC Directive, Restriction of Hazardous Substance Directive, and Waste Electrical and Electronic Equipment Directive.

This equipment must not be modified for any reason and it must be installed as stated in the Manufacturer's instructions. If this shipment (or any part thereof) is supplied as second-hand equipment, equipment for sale outside the European Economic Area, or as spare parts for either a single unit or system, it is not covered by the Directives.

## Australia and New Zealand

RCM Mark, Australia/NZ Emissions Compliant

# End-User License Agreement

### Software Terms

Use of this software that is in (or constitutes) this product, or access to the cloud, or hosted services applicable to this product, if any, is subject to applicable end-user license, open-source software information, and other terms set forth at <http://johnsoncontrols.com/techterms>. Your use of this product constitutes an agreement to such terms.

## Copyright

© 2024 Johnson Controls. All rights reserved. JOHNSON CONTROLS and KANTECH are trademarks of Johnson Controls.

